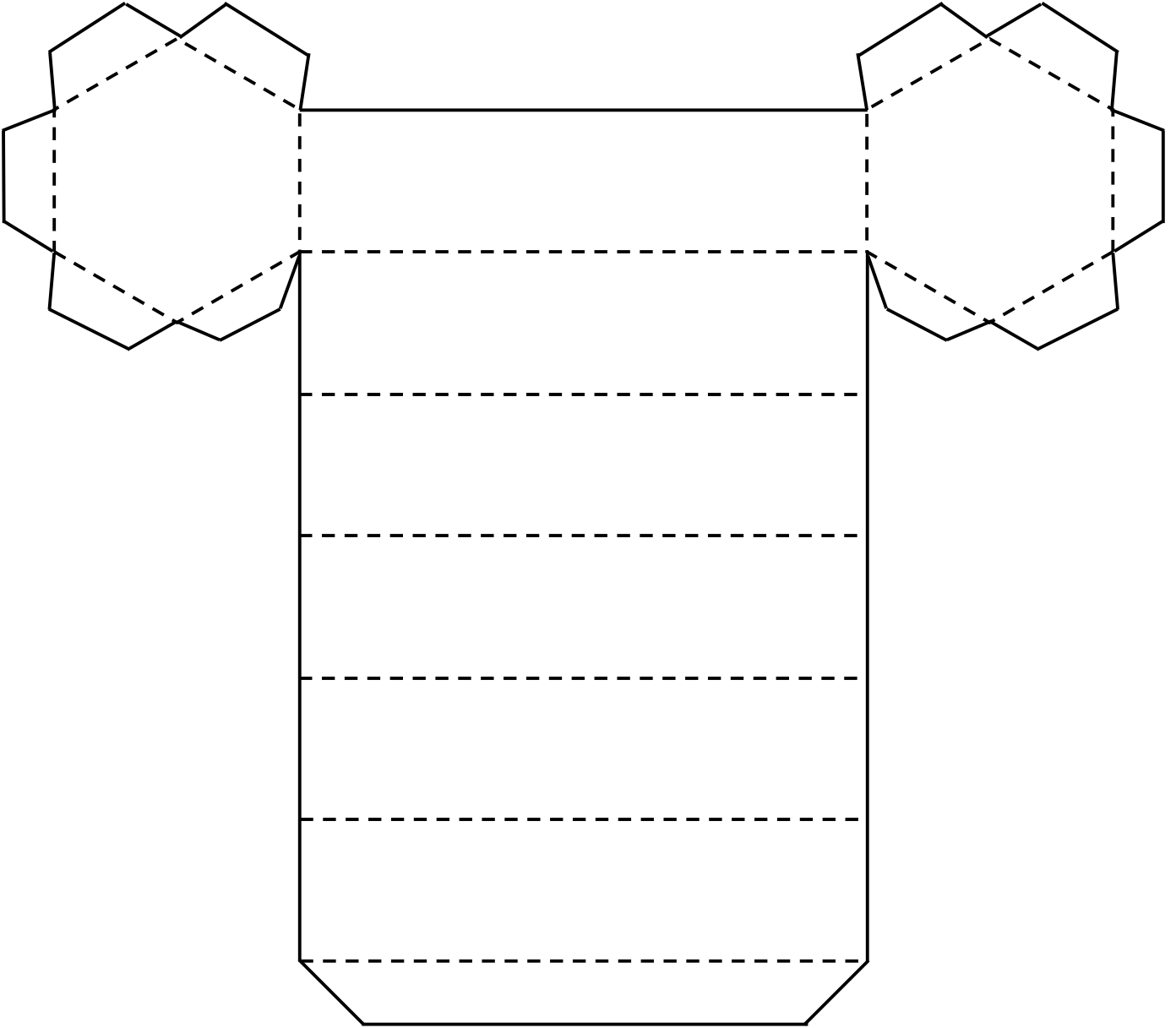
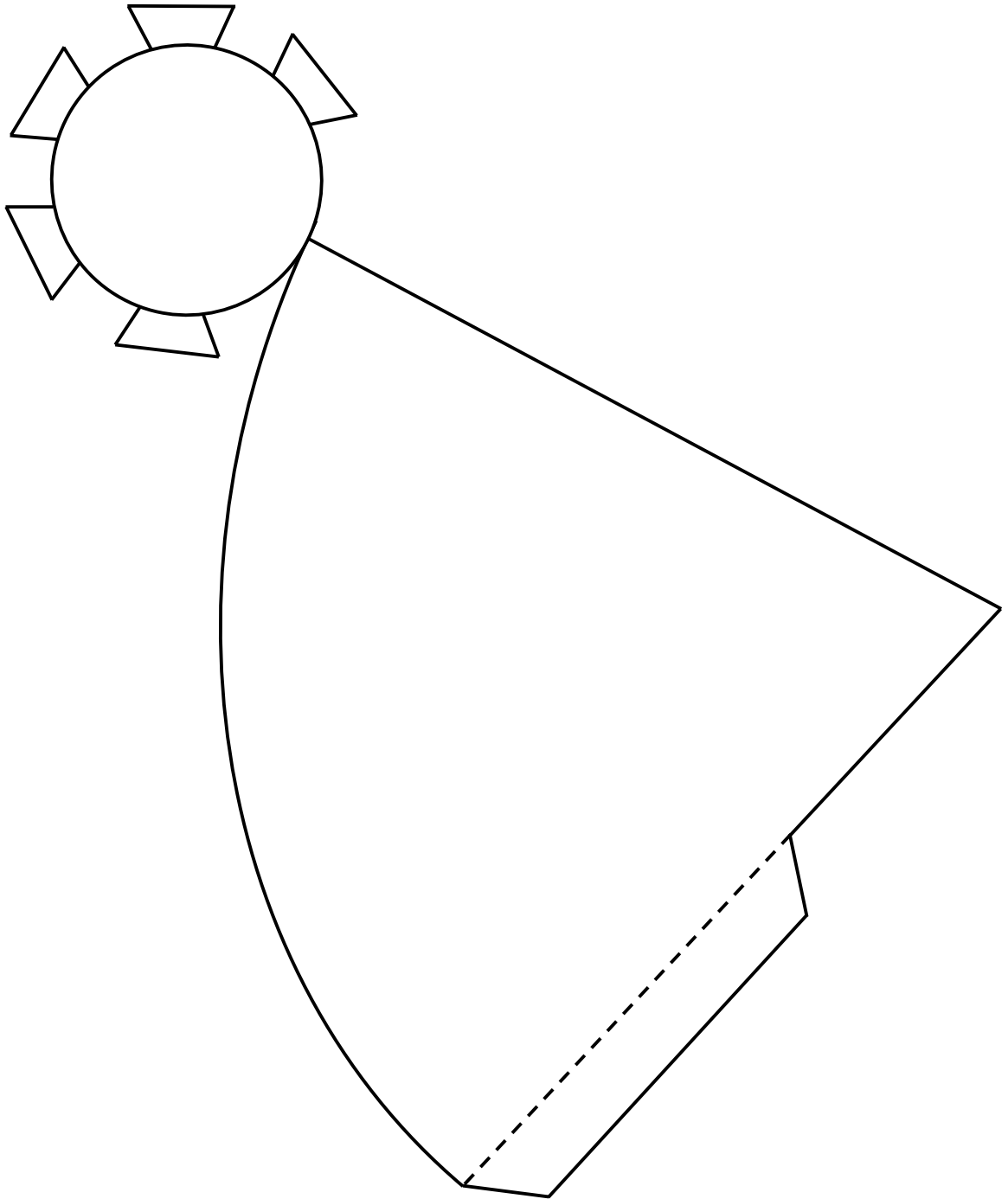


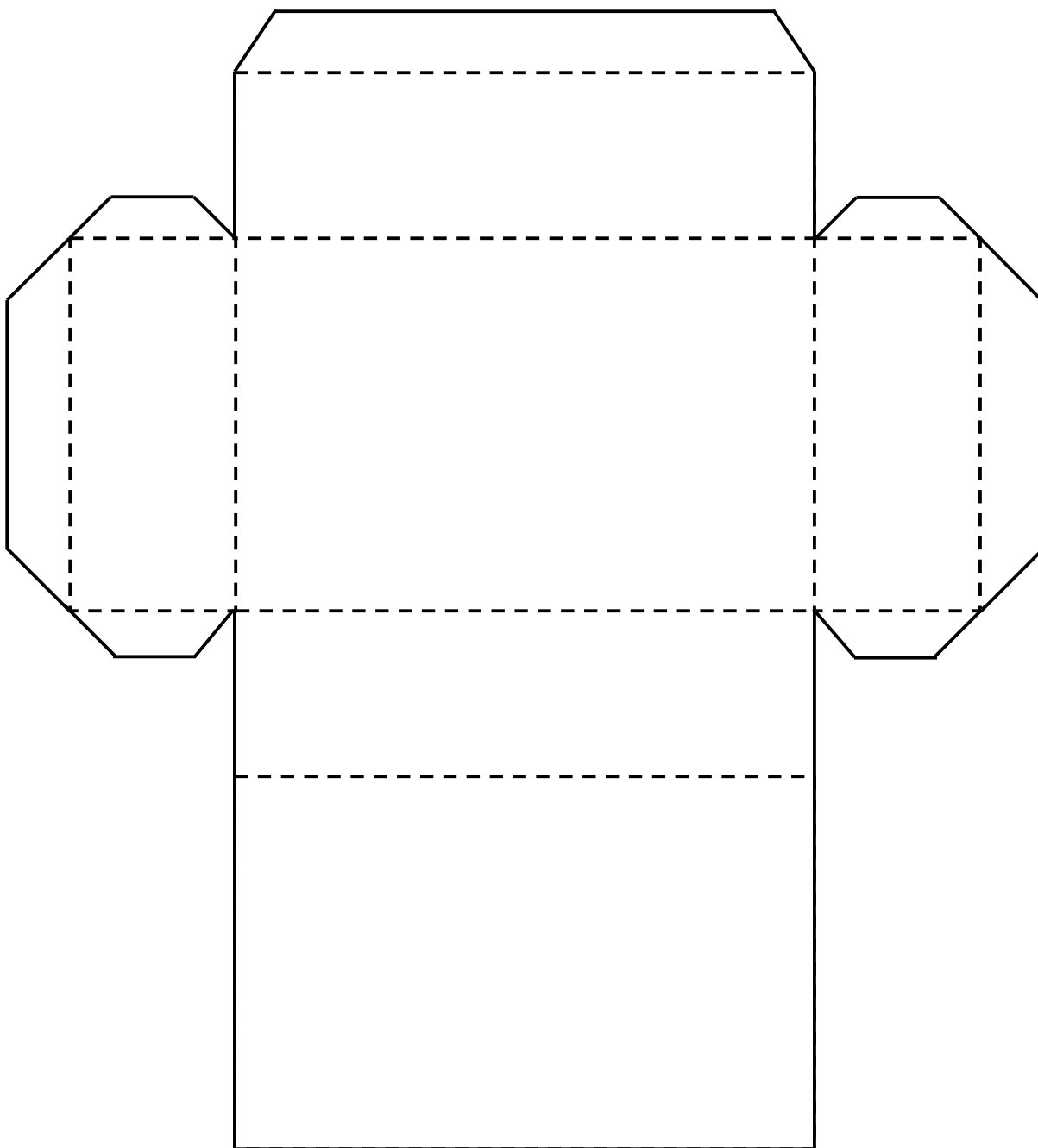
**Net (hexagonal prism)**



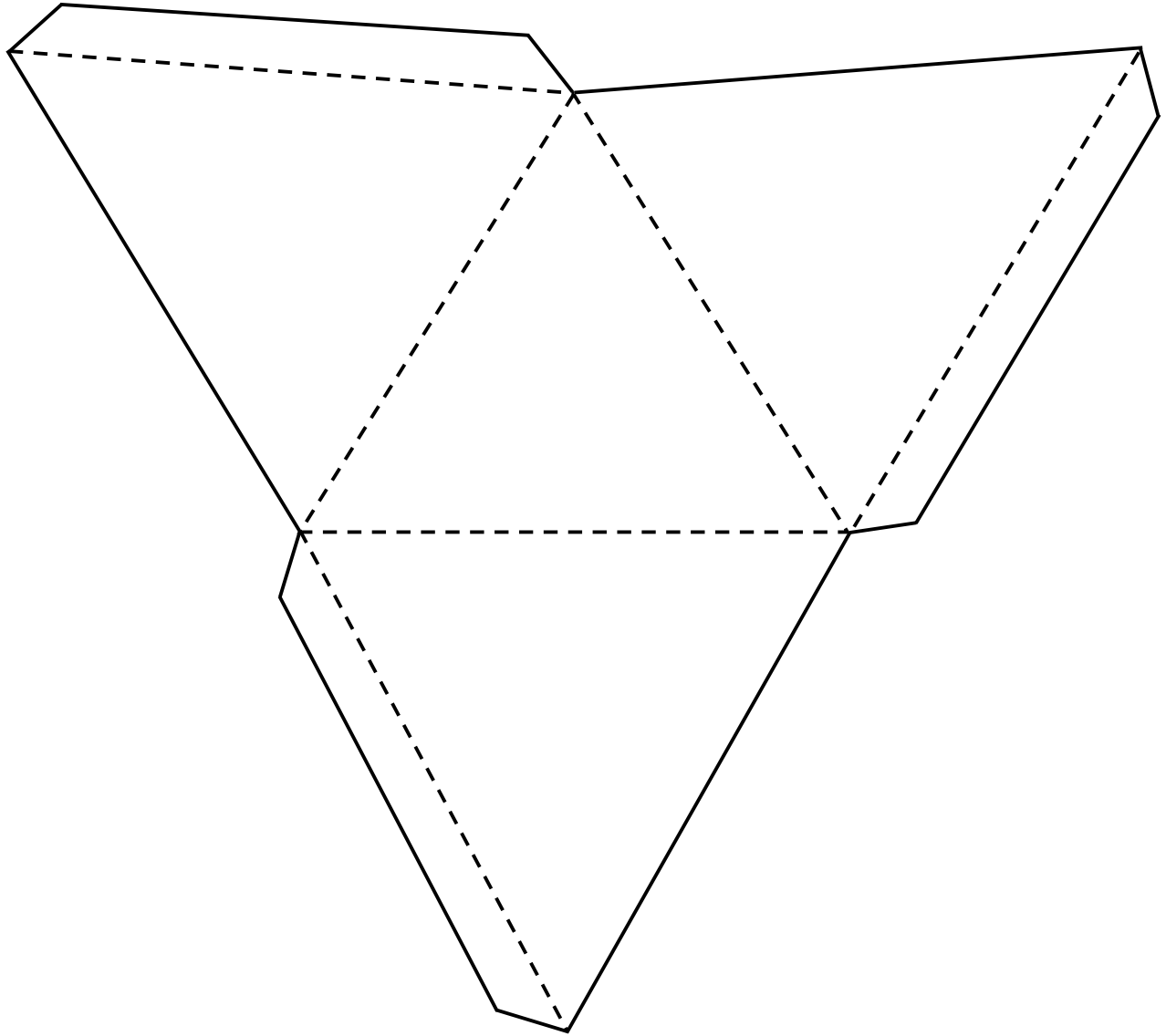
**Net (cone)**



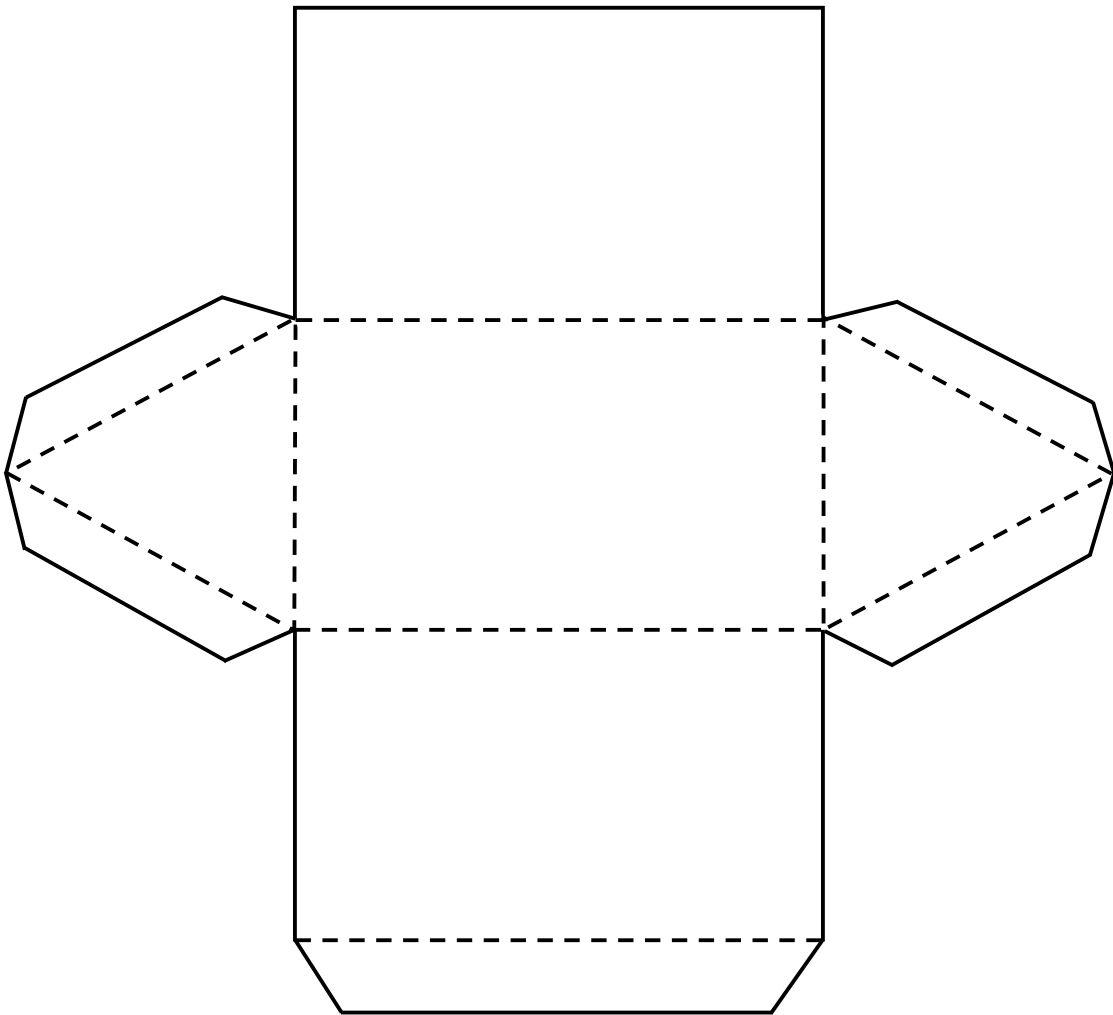
**Net (rectangular prism)**



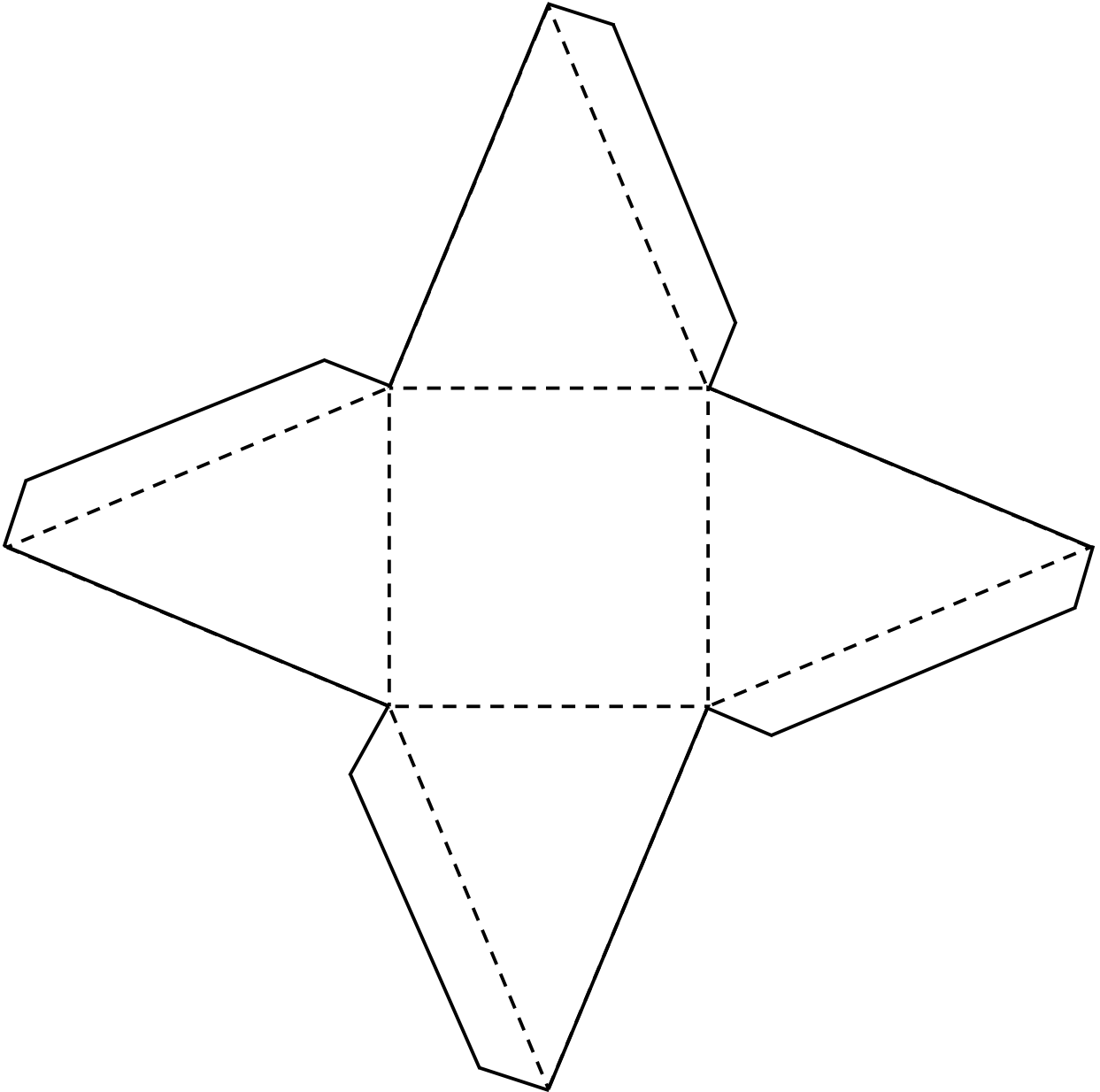
**Net (triangular pyramid)**



**Net (triangular prism)**



**Net (square based pyramid)**



Net (open cylinder)

